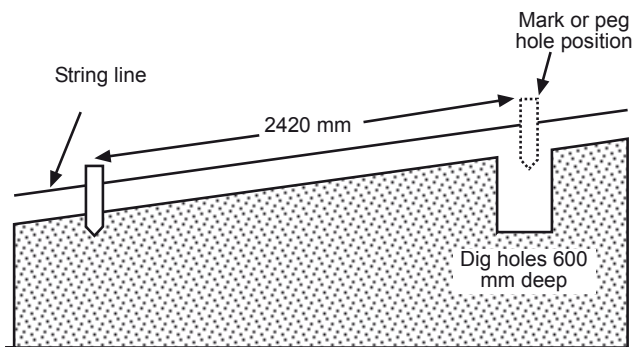


Standard Installation

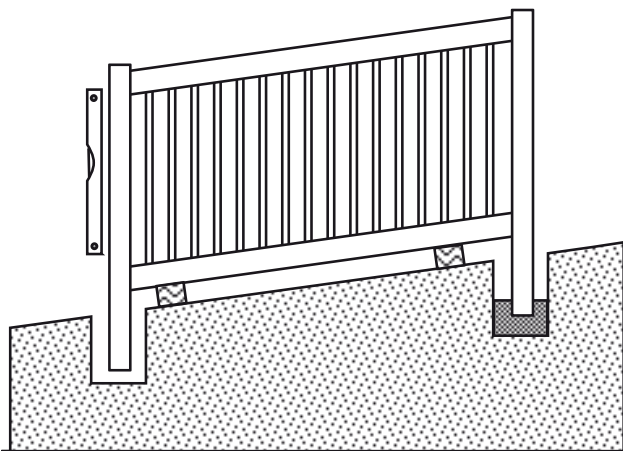
The following details relate to standard panels which can be racked up to 17 degrees. This is equivalent to a drop of 700mm over a 2.42m panel. Slopes greater than this are possible but the panel requires different assembly details. Please see Information Sheet S.

If the panels are to be stepped down a slope keeping the rails horizontal, the same installation procedure can be followed except that the horizontal rail must be checked with a spirit level. This method is not advisable if the fence is to comply with pool safety fencing regulations.

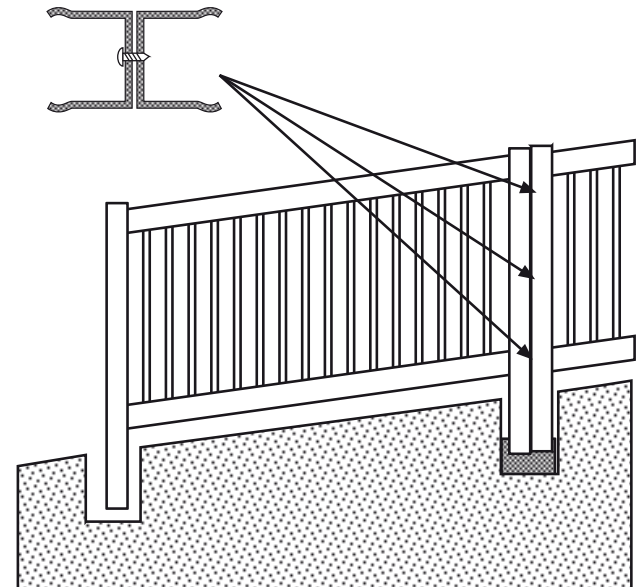
Step 1 - Run string along the fenceline and mark hole centres at 2.420 metres. This is the distance along the ground. Dig holes 200mm diameter and 600mm deep.



Step 2 - Install the first panel using props or chocks to position the panel. To rack the panel and bring the bottom rail parallel to the ground simply brace the opposite corner against a firm object and lightly tap the corner. Partially fill the first hole with dry concrete mix and tamp down to hold bottom of the post in position. To comply with pool fencing regulations, ensure the gap under the bottom rail is less than 100mm and the top rail is at least 1.2m above the ground



Step 3 - Install second panel as above, butting the posts together. Fasten with 3 self tapping screws as shown. These are self drilling and self tapping and require only a screwdriver tip in an electric drill with a Phillips no. 2 head to screw them in. Partially fill second hole and tamp down as before



Step 4 - Repeat step 3 with each panel until the end of the run, then sight along the fence for straightness and view from the front to ensure the fence follows the required contour. Avoid having the fence zig zag up and down. Fill each hole with wet concrete noting that the concrete must be level with or slightly above the soil. Slope the top of the concrete to allow water to run off.